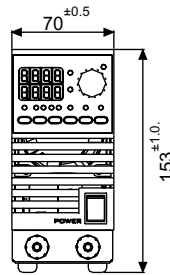
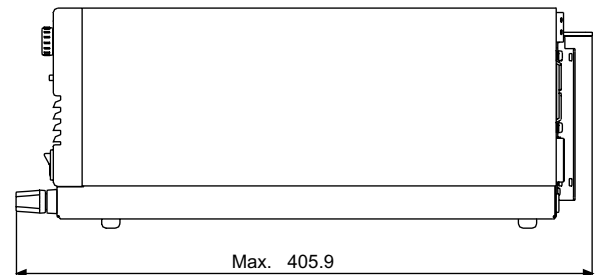


Options (200W, 400W, 800W Models)

1. FRONT PANEL OUTPUT JACKS
P/N: ZUP / L

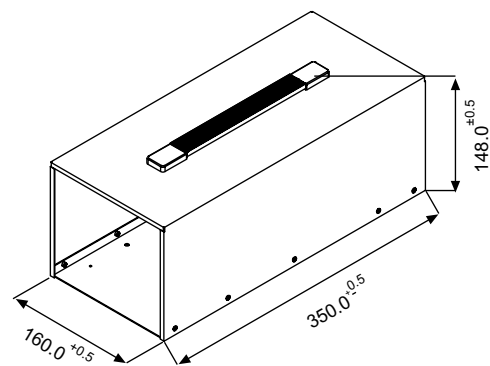


Outline Drawing: Physical Dimensions in mm.
ZUP 200W/400W Units: 70x153x405.9
ZUP 800W Units: 140x153x405.9



Up to 20A output current via front panel jacks.

2. ZUP ASSEMBLIES
Dual Output Packing 200W/400W models
P/N: NL200



3. 19" RACK MOUNTED ATE AND OEM UP TO 2.4 KW
Up to six power units can be assembled into a 19 , 3U rack, kit P/N NL100.
In cases where the entire rack is not occupied with power units, NL101 blank panels can be installed.
P/N: NL100

